

# EBH.750/18V

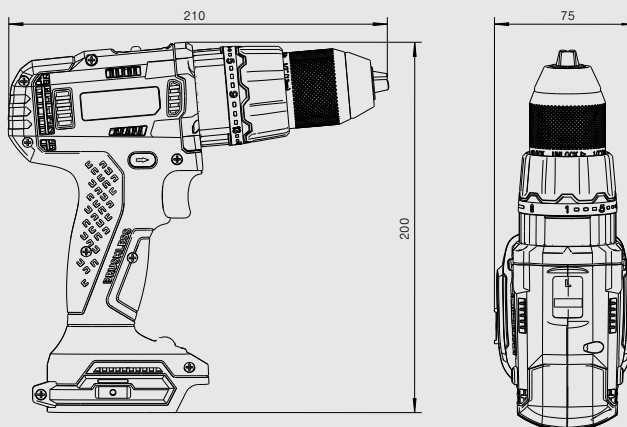
## Battery Operated Driver Drill Brushless, Cordless

**EUROBOOR**

FOR PROFESSIONALS BY PROFESSIONALS

### Technical data

	Metric	Imperial
Length	210 mm	8 1/4"
Width	75 mm	2 15/16"
Height	200 mm	8"
Weight	1.38 kg	3.04 lbs
Max Torque low gear	75 Nm	
Max Torque high gear	50 Nm	
Speed (no load) gear 1	0 - 500 rpm	
Speed (no load) gear 2	0 - 2000 rpm	
Gearbox	2-Speed mechanical	
Slip Clutch	21 positions	
Connection	1.5 mm - 13.0 mm	1/16" - 1/2"
	Quick Connect	Quick Connect
Battery capacity	18 V 5 Ah Li-ion, 18 V 9 Ah Li-ion	



### Features



Torque control



R/L rotation



Brushless motor



Battery operated



Makita LXT 18V platform



### Accessories



Battery 5Ah 18V  
EB.18V-5A



Battery 9Ah 18V  
EB.18V-9A



Charger  
EBC1

Euroboor makes every effort to meet quality and integrity requirements. That is why we as an organization are proud of the recognition of some leading organizations worldwide:



Battery not included.

[www.euroboor.com](http://www.euroboor.com)